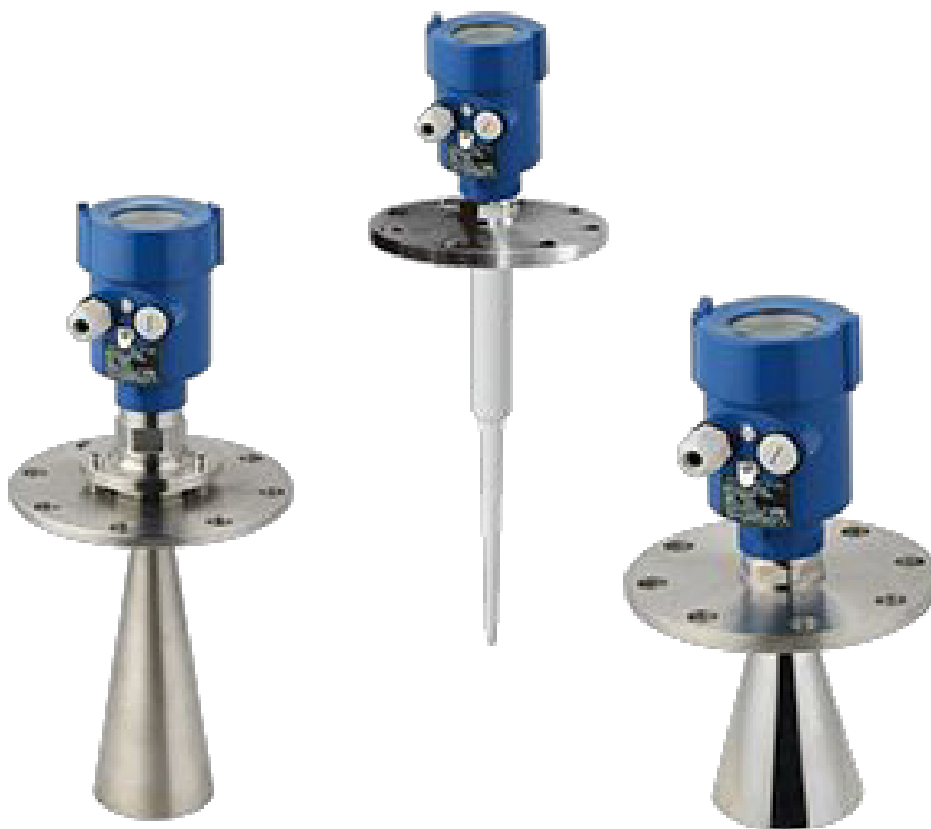


6GHz Intelligent Radar Level Meter

Product Manual

Model: KRD520 SERIES



Directory

1、 Product Overview.....	1
2、 Product Introduction.....	2
3、 The Installation Requirements.....	4
4、 The Electrical Connection.....	6
5、 Instrument Commissioning.....	8
6、 Structure Size.....	9
7、 Technical Parameters.....	12
8、 Meter Linearity.....	13
9、 Product Model Selection.....	16
Material level meter selection parameter table.....	22

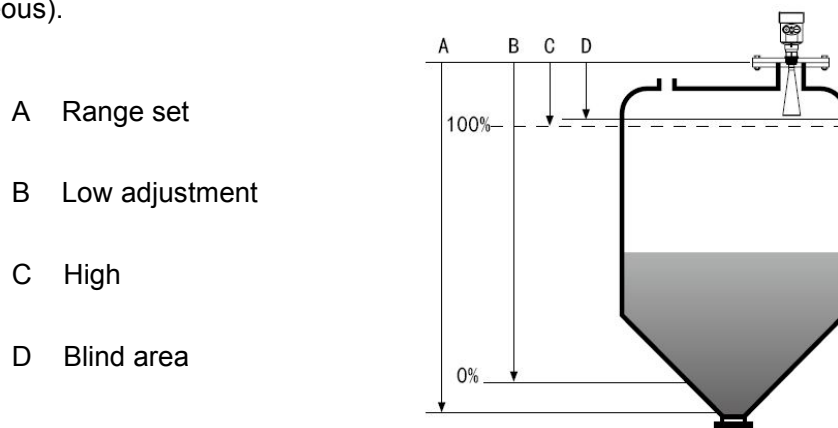
26GHz Radar Level Meter

1. Product Overview

This series of radar level meter adopted 26G high frequency radar sensor, the maximum measurement range can reach up to 80 meters. Antenna is optimized further processing, the new fast microprocessors have higher speed and efficiency can be done signal analysis, the instrumentation can be used for reactor, solid silo and very complex measurement environment.

● Principle

Radar level transmitter antenna microwave pulse is narrow, the downward transmission antenna. Microwave exposure to the medium surface is reflected back again by the antenna system receives, sends the signal to the electronic circuit automatically converted into level signals (because the microwave propagation speed, electromagnetic wave to reach the target and the reflected back to the receiver this time is almost instantaneous).



Datum measurement: Screw thread bottom or the sealing surface of the flange.

Note: Make sure the radar level meter the highest level cannot enter the measuring blind area (Figure D shown below).

● The characteristics of 26G radar level meter:

- Small antenna size, easy to install; Non-contact radar, no wear, no pollution.
- Almost no corrosion, bubble effect; almost not affected by water vapor in the atmosphere, the temperature and pressure changes.
- Serious dust environment on the high level meter work has little effect.
- A shorter wavelength, the reflection of solid surface inclination is better.
- Beam angle is small, the energy is concentrated, can enhance the ability of echo and to avoid interference.
- The measuring range is smaller, for a measurement will yield good results.
- High signal-to-noise ratio, the level fluctuation state can obtain better

performance.

- High frequency, measurement of solid and low dielectric constant of the best choice.

2. Product Introduction

KRD521



Application: All kinds of corrosive liquid
Measuring Range: 10 meters
Process Connection: Thread, Flange
Medium Temperature: $-40^{\circ}\text{C} \sim 130^{\circ}\text{C}$
Process Pressure: $-0.1 \sim 0.3 \text{ MPa}$
Accuracy: $\pm 5\text{mm}$
Protection Grade: IP67
Frequency Range: 26GHz
Signal Output: 4... 20mA/HART (Two-wire / Four)
RS485/ Modbus
Explosion-proof Grade: Exia II C T6 Ga
Exd ia II C T6 Gb

KRD522



Application: Liquid
Measuring Range: 30 meters
Process Connection: Thread, Flange
Medium Temperature: $-40^{\circ}\text{C} \sim 250^{\circ}\text{C}$
Process Pressure: $-0.1 \sim 4.0 \text{ MPa}$
Accuracy: $\pm 3\text{mm}$
Protection Grade: IP67
Frequency Range: 26GHz
Signal Output: 4... 20mA/HART (Two-wire / Four)
RS485/ Modbus
Explosion-proof Grade: Exia II C T6 Ga
Exd ia II C T6 Gb

KRD523



Application: Solid material, Strong dust
easy to crystallize, condensation occasion
Measuring Range: 70 meters
Process Connection: Universal Flange
Medium Temperature: $-40^{\circ}\text{C} \sim 250^{\circ}\text{C}$
Process Pressure: $-0.1 \sim 0.1 \text{ MPa}$
Protection Grade: IP67
Accuracy: $\pm 15\text{mm}$
Frequency Range: 26GHz
Signal Output: 4... 20mA/HART (Two-wire / Four)
RS485/ Modbus

Explosion-proof Grade: Exia II C T6 Ga
Exd ia II C T6 Gb

KRD524



Application: Solid material, Strong dust,
easy to crystallize, condensation occasion
Measuring Range: 80 meters
Process Connection: Universal Flange
Medium Temperature: -40°C ~ 250°C
Process Pressure: -0.1 ~ 0.1MPa
Accuracy: ± 15mm
Protection Grade: IP67
Frequency Range: 26GHz
Signal Output: 4... 20mA/HART (Two-wire / Four)
RS485/ Modbus
Explosion-proof Grade: Exia II C T6 Ga
Exd ia II C T6 Gb

KRD525



Application: Solid particles, Powder
Measuring Range: 30 meters
Process Connection: Thread, Flange
Medium Temperature: -40°C ~ 250°C
Process Pressure: -0.1 ~ 4.0MPa (Flat flange)
-0.1 ~ 0.1MPa (Universal Flange)
Accuracy: ± 10mm
Protection Grade: IP67
Frequency Range: 26GHz
Signal Output: 4... 20mA/HART (Two-wire / Four)
RS485/ Modbus
Explosion-proof Grade: Exia II C T6 Ga
Exd ia II C T6 Gb

KRD526



Application: Hygienic liquid storage,
Corrosive container
Measuring Range: 20 meters
Process Connection: Flange
Medium Temperature: -40°C ~ 150°C
Process Pressure: -0.1 ~ 0.1MPa
Accuracy: ± 3mm
Protection Grade: IP67
Frequency Range: 26GHz
Signal Output: 4... 20mA/HART (Two-wire / Four)
RS485/ Modbus
Explosion-proof Grade: Exia II C T6 Ga
Exd ia II C T6 Gb

3. The Installation Requirements

- **Installation guide:**

Be installed in the diameter of the 1/4 or 1/6.

Note: The minimum distance from the tank wall should be 200mm.

Note: ① datum

② The container center or axis of symmetry

- The top conical tank level, can be installed at the top of the tank is intermediate, can guarantee the measurement to the conical bottom.

- A feed antenna to the vertical alignment surface. If the surface is rough, stack angle must be used to adjust the angle of cardan flange of the antenna to the alignment surface.

(Due to the solid surface tilt will cause the echo attenuation, even Loss of signal.)

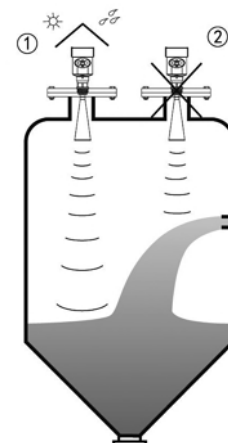
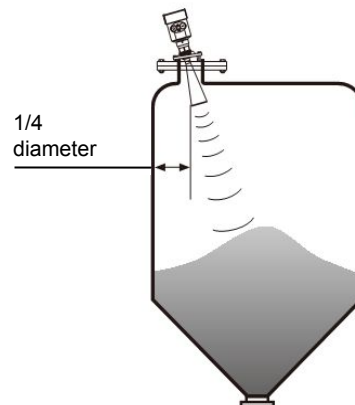
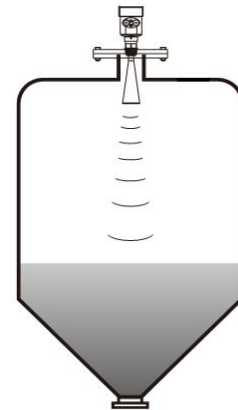
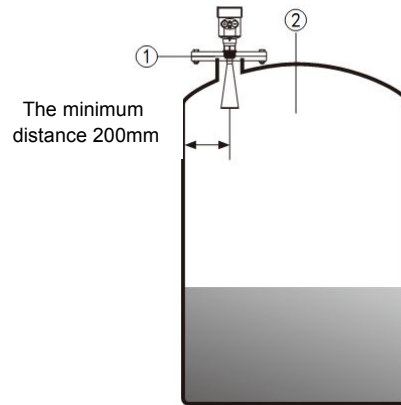
- **Typical installation errors:**

- Conical tank cannot be installed above the feed port.

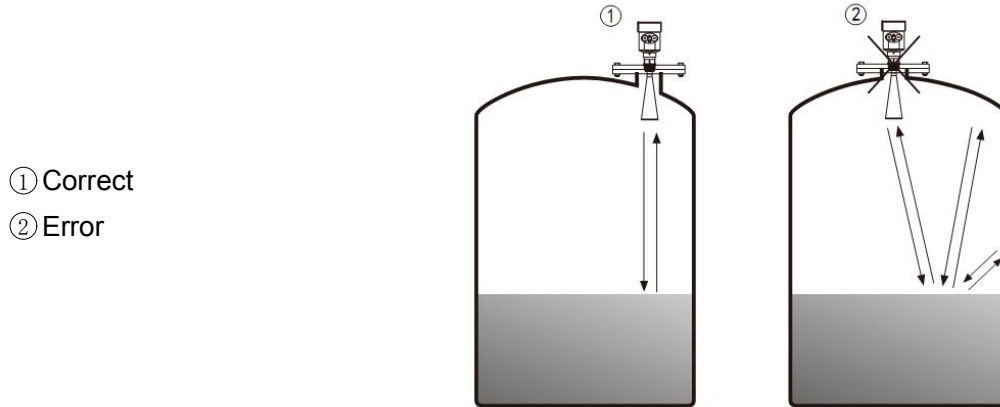
Note: outdoor installation should adopt sunshade.

① Correct

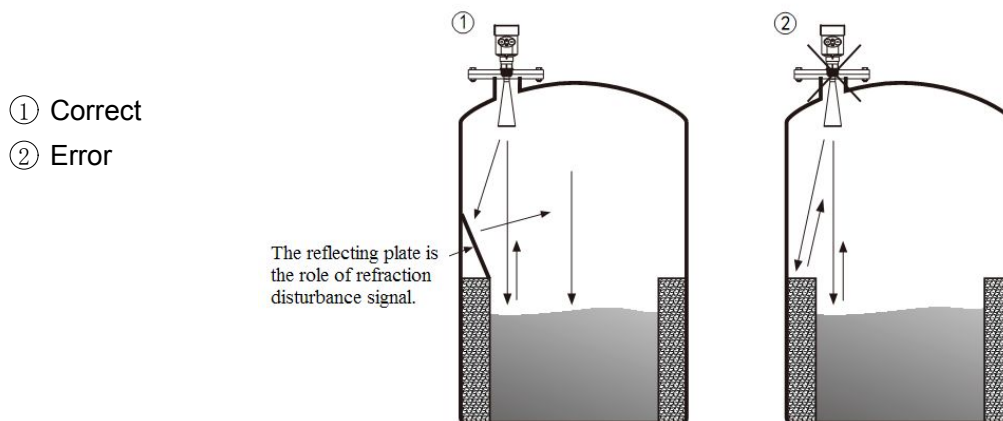
② Error rainproof measures



- The instrument cannot be installed in the arched or domed roof intermediate. In addition to produce indirect echo is also affected by the echoes. Multiple echo can be larger than the real value of signal echo, because through the top can concentrate multiple echo. So cannot be installed in a central location.

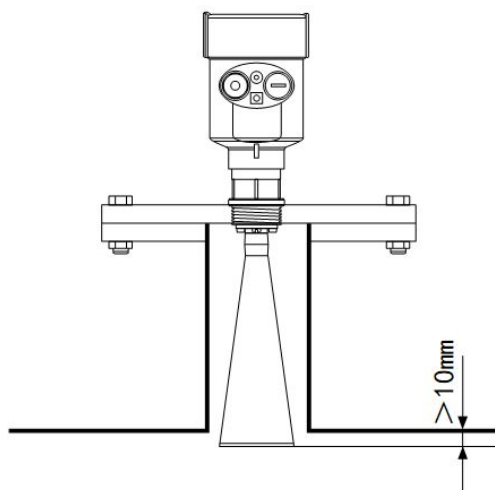


- There are obstacles affecting measurement needed reflection plate.



- **Height of nozzle:**

Antenna extends into the tank at least 10mm distance.



4. The Electrical Connection

- **The power supply voltage:**

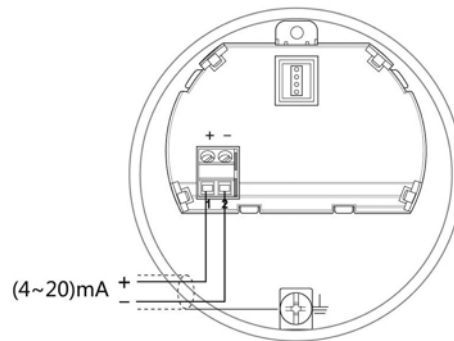
(4~20)mA/HART (Two wire system)	The power supply and the output current signal sharing a two core shield cable. The supply voltage range see technical data. For intrinsically safe type must be a safety barrier between the power supply and the instrument.
---------------------------------	--

(4~20)mA/HART(Four wire system)	Separate power supply and the current signal, respectively using a two-core shielded cable. The supply voltage range see technical data.
---------------------------------	--

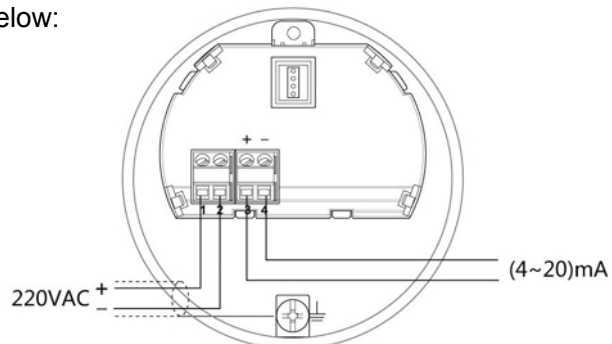
RS485 / Modbus	Power supply and Modbus signal line separate drespectively using a two-core shielded cable, the power supply voltage range see technical data.
----------------	--

- **Connection mode:**

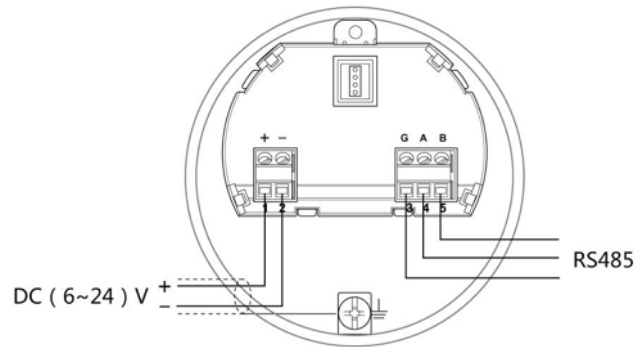
➤ 24V two wire wiring diagram as follows:



➤ 220V four wire connection is as below:



- 24V RS485/Modbus wiring diagram as follows:



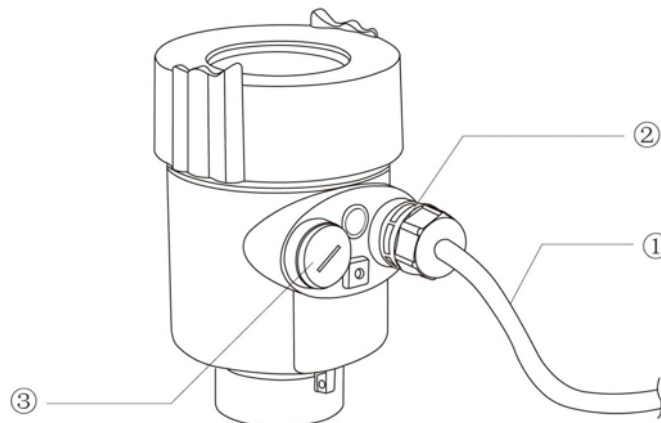
- **Safety instructions:**

- Please observe the local electrical code requirements!
- Please comply with local requirements for personnel health and safety regulations. All electrical components of instrument operation must be completed by the formal training of professionals.
- Please check the instrument nameplate to provide product specifications meet your requirements. Please make sure that the power supply voltage and instrument nameplate on the requirements.

- **Protection grade:**

This instrument meets the protection class IP66/67 requirements, please ensure the waterproof cable sealing head. The following diagram:

:



How to install to meet the requirements of IP67:

Please make sure that the sealing head is not damaged.

Please make sure that the cable is not damaged.

Please make sure that the cable for use with electrical connection specification.

Cable into the electrical interface before its curved downward, ensure that the water will not flow into the shell, see the①

Tighten the cable seal head, see the②

Please electrical interface will not use blind plug tight, see the③

5. Instrument Commissioning

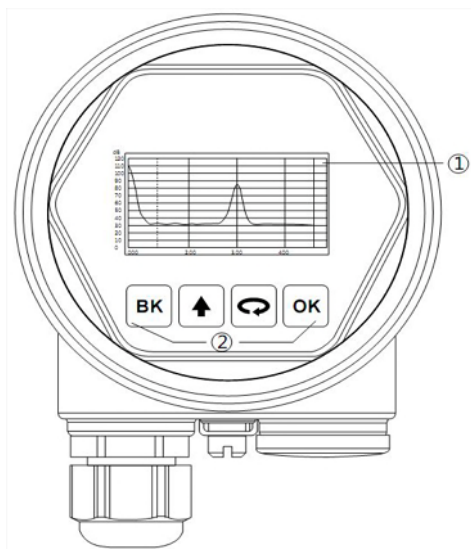
● There are three kinds of debugging method:

- 1) Display / Keyboard
- 2) Host debugging
- 3) HART handheld programmer

● Display / Keyboard:

Please debug the instrumentation by four buttons on the display screen. There are three debug menu languages optional. After debugging is generally used only for display, through the glass window can read measured value very clearly.

Display / Keyboard



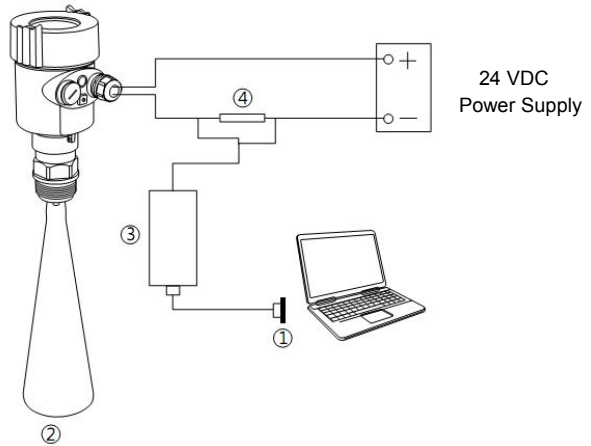
① Liquid crystal display(LCD)

② The key

● **PC debugging:**

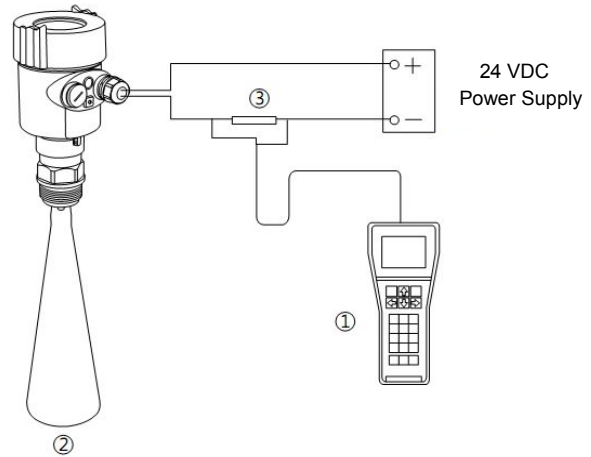
Connected to PC by HART

- ① RS232 interface or USB interface
- ② Radar level meter
- ③ HART adapter
- ④ 250 Ω resistor



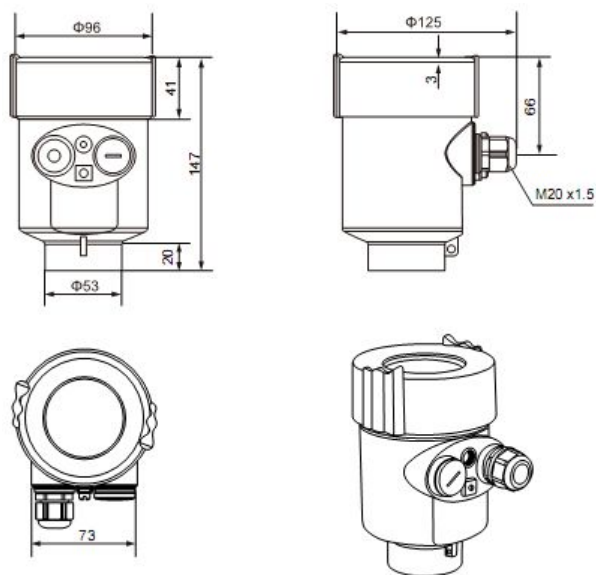
● **HART handheld programmer:**

- ① HART handheld programmer
- ② Radar level meter
- ③ 250 Ω resistor



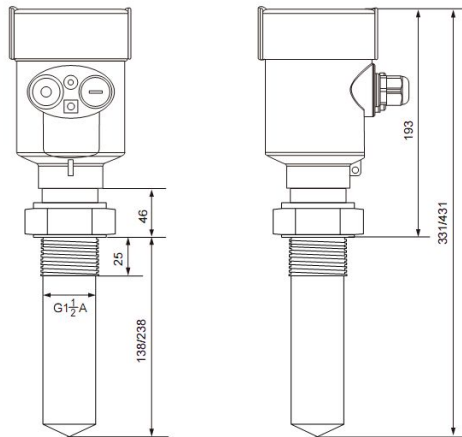
6. Structure Size (Unit: mm)

● **The outer shell:**

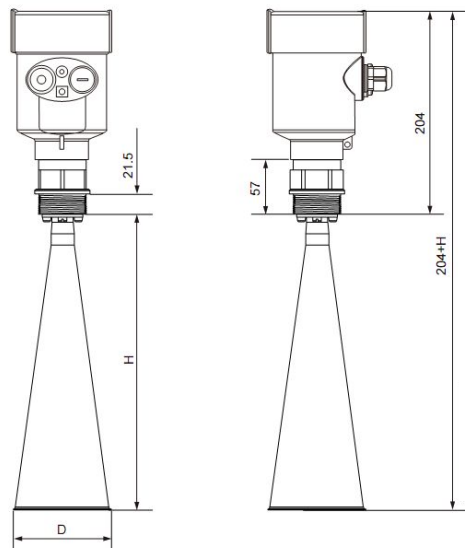


● Appearance size:

KRD521

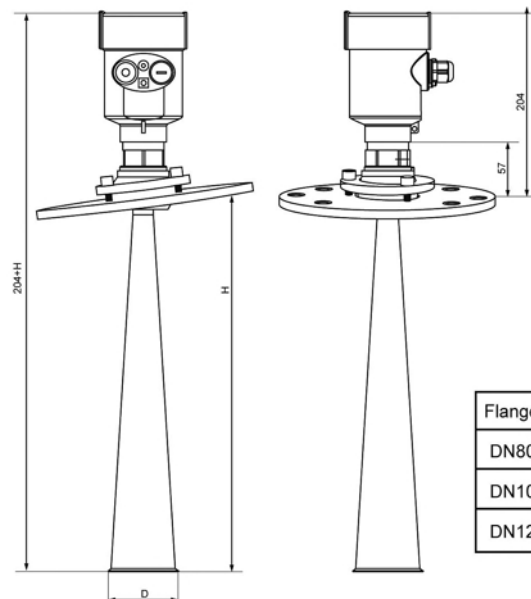


KRD522



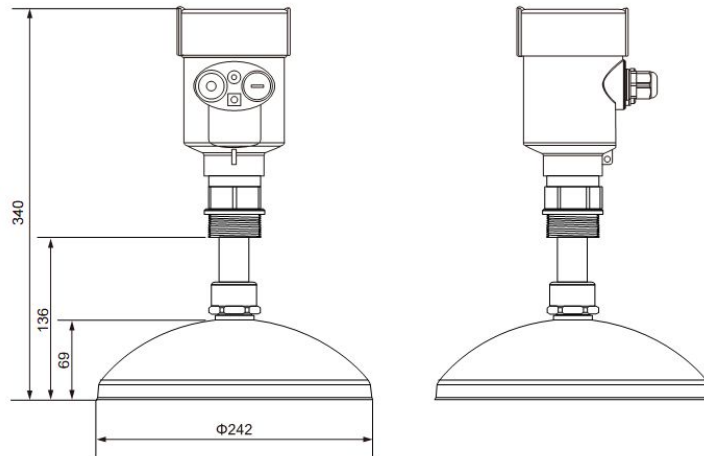
Flange	The Bell Diameter D	Bell height H
DN50	Φ46	140
DN80	Φ76	227
DN100	Φ96	288

KRD523

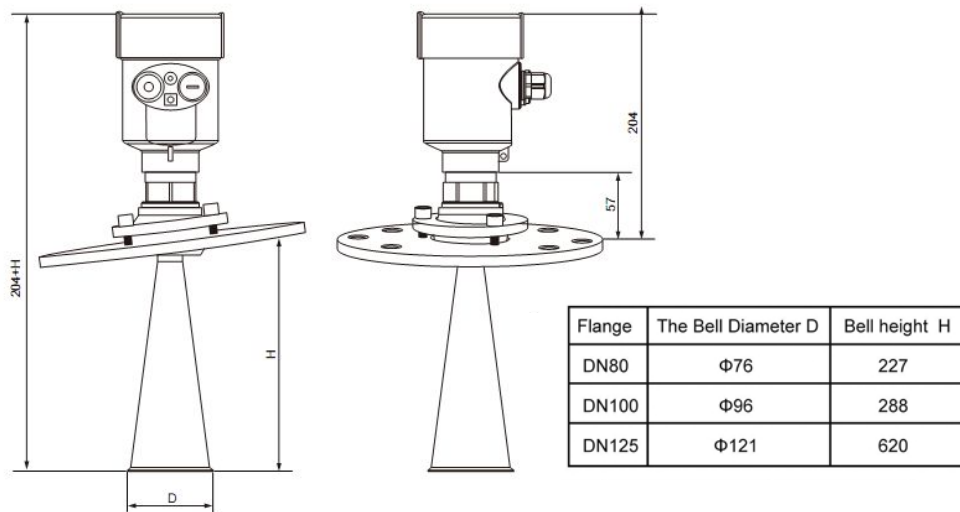


Flange	The Bell Diameter D	Bell height H
DN80	Φ76	227
DN100	Φ96	288
DN125	Φ121	620

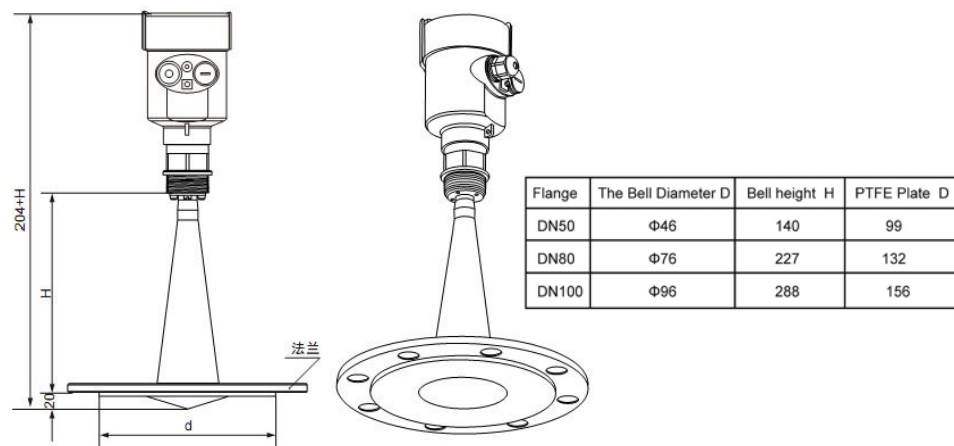
KRD524



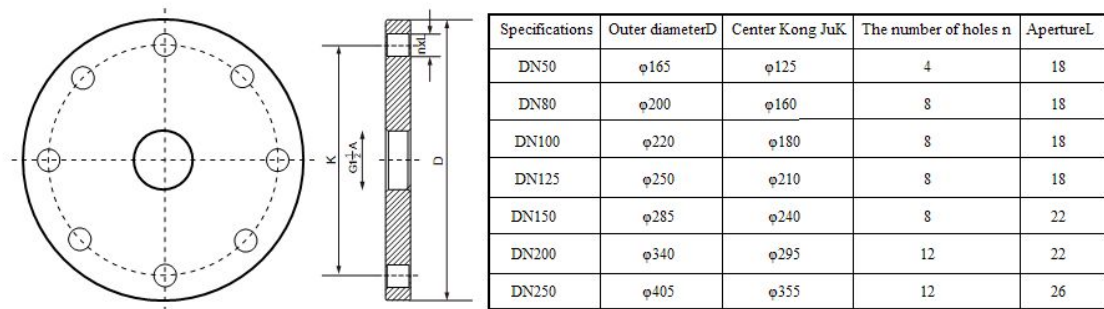
KRD525



KRD526



● **Flange type:**



7. Technical Parameters

The outer shell

The seal between the shell and the shell cover	Silicone rubber
Casing window	Polycarbonate
The ground terminal	Stainless steel

The power supply voltage

Two wire system		
	The standard type	(16 ~ 26) V DC
	Intrinsically safe	(21.6 ~ 26.4) V DC
	Power dissipation	max 22.5mA / 1W
	Allowable ripple	
	- <100Hz	$U_{ss} < IV$
	- (100 ~ 100K) Hz	$U_{ss} < 10mV$

The cable parameters

Cable entrance / plug	1 M20x1.5 cable entrance 1 blind plug
Terminal	Conductor cross section 2.5mm ²

Output parameters

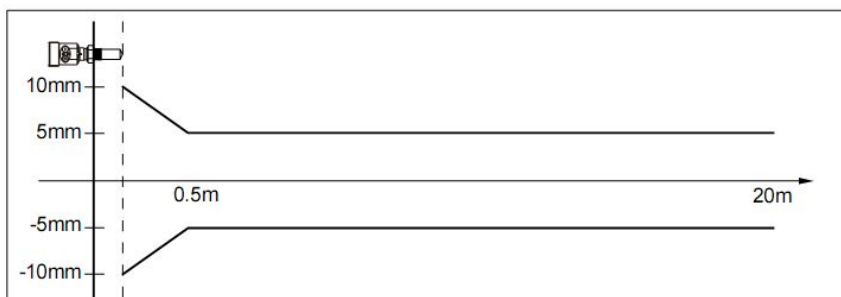
The output signal	(4 ~ 20) mA/RS485
Communication protocol	HART
Resolution	1.6 μ A
Fault signal	Constant current output; 20. 5mA 22mA 3.9mA
The integral time	(0 ~ 50) s, adjustable

Blind area	the ends of the antenna
The maximum distance measurement	80 meters
Microwave frequency	26GHz
Communication interface	HART communication protocol
The measurement interval	about 1 second (depending on the parameter settings)
Adjust the time	about 1 second (depending on the parameter settings)
Display resolution	1 mm
Working storage and transportation temperature	(-40~100) °C
Process temperature (the temperature of the antenna part)	
KRD521	(-40~130)°C
KRD522/KRD523/KRD524/KRD525	(-40~250)°C
KRD526	(-40~150)°C
Pressure	Max.4MPa
Seismic	Mechanical vibration 10m/s ² , (10 ~ 150) Hz

8. Meter Linearity

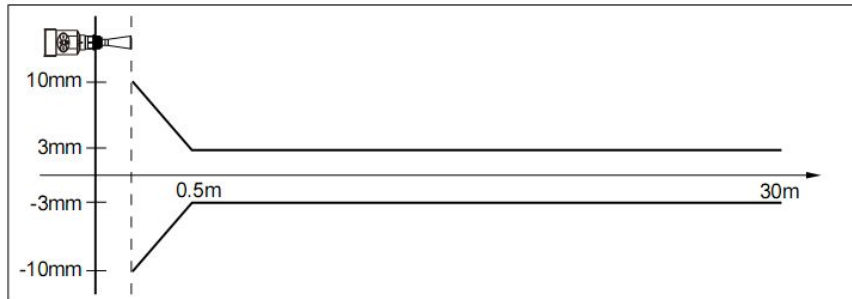
KRD521

Emission angle 20°
Precision See chart



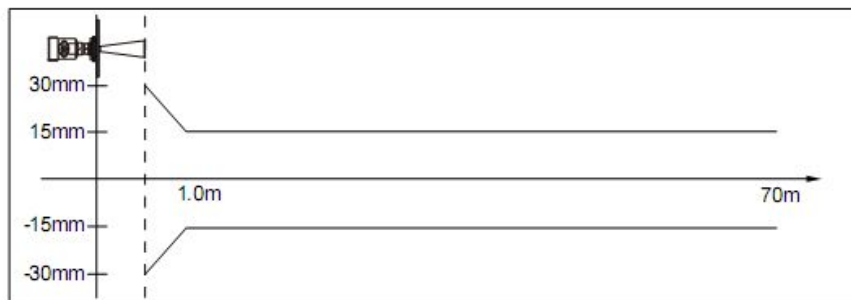
KRD522

Emission angle	Depending on the size of the antenna
- \varnothing 46mm	18°
- \varnothing 76mm	12°
- \varnothing 96mm	8°
- \varnothing 121mm	6°
Precision	See chart



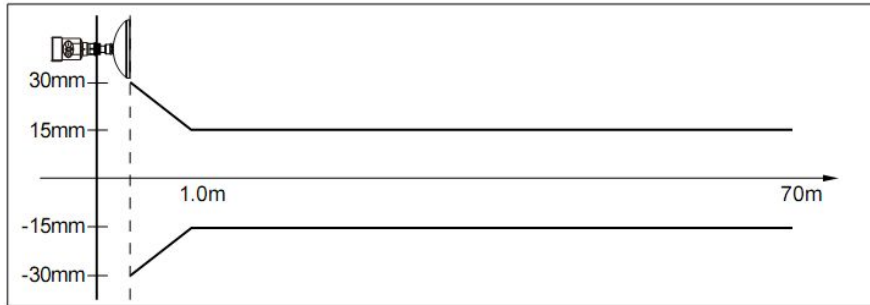
KRD523

Emission angle	Depending on the size of the antenna
- \varnothing 46mm	182°
- \varnothing 76mm	12°
- \varnothing 96mm	8°
- \varnothing 121mm	6°
Precision	See chart



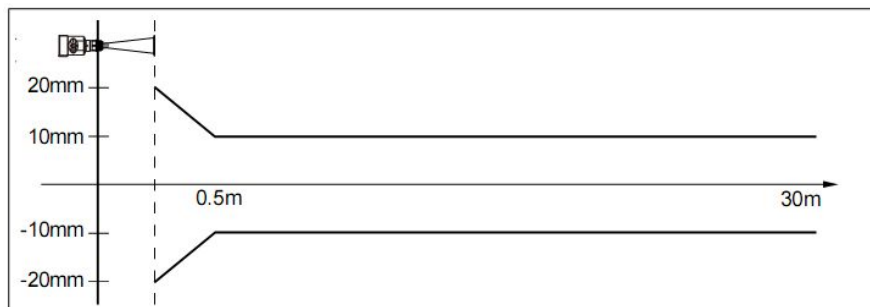
KRD524

Emission angle	Depending on the size of the antenna
- \varnothing 196mm	4°
- \varnothing 242mm	4°
Precision	See chart



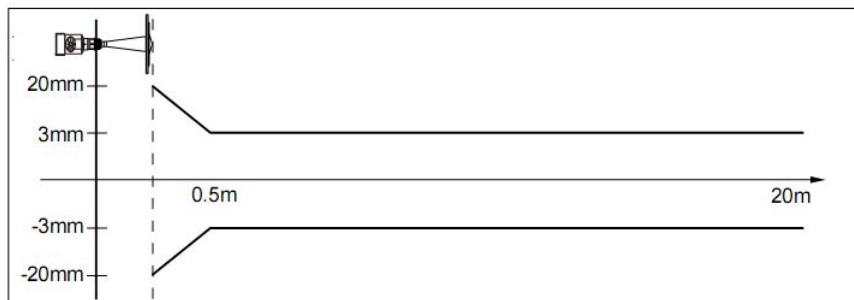
KRD525

Emission angle	Depending on the size of the antenna
- \varnothing 76mm	12°
- \varnothing 96mm	8°
- \varnothing 121mm	6°
Precision	See chart



KRD526

Emission angle	Depending on the size of the antenna
- \varnothing 46mm	18°
- \varnothing 76mm	12°
- \varnothing 96mm	8°
Precision	See chart



9. Product Model Selection

● KRD521

License

- P Standard (Non-explosion-proof)
- I Intrinsically safe (Exia IIC T6 Ga)
- G Intrinsically safe type, Flameproof (Exd (ia) IIC T6 Gb)

Antenna Type / Material / Temperature

F Sealing horn / PTEE / -40... 130 °C

Process Connection / Material

- G Thread G1½" A
- N Thread 1½" NPT
- A Flange DN50 /PP
- B Flange DN80 /PP
- C Flange DN100 /PP
- Y Special custom

The Outlet Pipe Length of the Container

- A Outlet pipe 100mm
- B Special custom

The Electronic Unit

- 2 (4~20) mA / 24V DC / Two wire system
- 3 (4~20) mA / 24V DC / HART two wire system
- 4 (4~20) mA / 220V AC / Four wire system
- 5 RS485 / Modbus

Shell / Protection Grade

- L Aluminum / IP67
- G Plastic / IP65

Cable Line

- M M 20x1.5
- N ½" NPT

Field Display/The Programmer

- A Belt
- X Without

● **KRD522**

License

- P Standard (Non-explosion-proof)
- I Intrinsically safe (Exia IIC T6 Ga)
- G Intrinsically safe type, Flameproof (Exd (ia) IIC T6 Gb)

Process Connection / Material

- G Thread G1½"A / Stainless Steel 304
- N Thread 1½" NPT / Stainless Steel 304
- A Flange DN50 / Stainless Steel 304
- B Flange DN80 / Stainless Steel 304
- C Flange DN100 / Stainless Steel 304
- Y Special Custom

Antenna Type / Material

- A Horn Antenna Φ46mm / Stainless Steel 316L
- B Horn Antenna Φ76mm / Stainless Steel 316L
- C Horn Antenna Φ96mm / Stainless Steel 316L
- Y Special Custom

Seal Up / Process Temperature

- V Viton / (-40~150) °C
- K Kalrez / (-40~250) °C

The Electronic Unit

- 2 (4~20) mA / 24V DC / Two wire system
- 3 (4~20) mA / 24V DC / HART two wire system
- 4 (4~20) mA / 220V AC / Four wire system
- 5 RS485 / Modbus

Shell / Protection Grade

- L Aluminum / IP67
- G Plastic/ IP65

Cable Line

- M M 20x1.5
- N ½" NPT

Field Display/The Programmer

- A Belt
- X Without

● **KRD523**

License

- P Standard (Non-explosion-proof)
- I Intrinsically safe (Exia IIC T6 Ga)
- G Intrinsically safe type, Flameproof (Exd (ia) IIC T6 Gb)

Process Connection / Material

- G Thread G1½"A / Stainless Steel 304
- N Thread 1½" NPT / Stainless Steel 304
- B Flange DN80 / Stainless Steel 304
- C Flange DN100 / Stainless Steel 304
- D Flange DN125 / Stainless Steel 304
- E Flange DN150 / Stainless Steel 304
- F Flange DN200 / Stainless Steel 304
- H Flange DN250 / Stainless Steel 304
- M Flange DN80 / Cardan joint
- K Flange DN100 / Cardan joint
- T Flange DN125 / Cardan joint
- Z Flange DN150 / Cardan joint
- W Flange DN200 / Cardan joint
- V Flange DN250 / Cardan joint
- Y Special Custom

Antenna Type / Material

- B Horn Antenna Φ76mm / Stainless Steel 316L
- C Horn Antenna Φ96mm / Stainless Steel 316L
- D Horn Antenna Φ121mm / Stainless Steel 316L

Seal Up / Process Temperature

- V Viton / (-40~150) °C
- K Kalrez / (-40~250) °C

The Electronic Unit

- 2 (4~20) mA / 24V DC / Two wire system
- 3 (4~20) mA / 24V DC / HART two wire system
- 4 (4~20) mA / 220V AC / Four wire system
- 5 RS485 / Modbus

Shell / Protection Grade

- L Aluminum / IP67
- G Plastic/ IP65

Cable Line

- M M 20x1.5
- N ½" NPT

Field Display/The Programmer

- A Belt
- X Without

● **KRD524**

License

- P Standard (Non-explosion-proof)
- I Intrinsically safe (Exia IIC T6 Ga)
- G Intrinsically safe type, Flameproof (Exd (ia) IIC T6 Gb)

Process Connection / Material

- G Thread G1½"A / Stainless Steel 304
- N Thread 1½" NPT / Stainless Steel 304
- B Flange DN80 / Stainless Steel 304
- C Flange DN100 / Stainless Steel 304
- D Flange DN125 / Stainless Steel 304
- E Flange DN150 / Stainless Steel 304
- F Flange DN200 / Stainless Steel 304
- H Flange DN250 / Stainless Steel 304
- M Flange DN80 / Cardan joint
- K Flange DN100 / Cardan joint
- T Flange DN125 / Cardan joint
- Z Flange DN150 / Cardan joint
- W Flange DN200 / Cardan joint
- V Flange DN250 / Cardan joint
- Y Special Custom

Antenna Type / Material

- B Horn Antenna Φ196mm / Stainless Steel 316L
- C Horn Antenna Φ242mm / Stainless Steel 316L

Seal Up / Process Temperature

- V Viton / (-40~150) °C
- K Kalrez / (-40~250) °C

The Electronic Unit

- 2 (4~20) mA / 24V DC / Two wire system
- 3 (4~20) mA / 24V DC / HART two wire system
- 4 (4~20) mA / 220V AC / Four wire system
- 5 RS485 / Modbus

Shell / Protection Grade

- L Aluminum / IP67
- G Plastic/ IP65

Cable Line

- M M 20x1.5
- N ½" NPT

Field Display/The Programmer

- A Belt
- X Without

● **KRD525**

License

- P Standard (Non-explosion-proof)
- I Intrinsically safe (Exia IIC T6 Ga)
- G Intrinsically safe type, Flameproof (Exd (ia) IIC T6 Gb)

Process Connection / Material

- G Thread G1½"A / Stainless Steel 304
- N Thread 1½" NPT / Stainless Steel 304
- B Flange DN80 / Stainless Steel 304
- C Flange DN100 / Stainless Steel 304
- D Flange DN125 / Stainless Steel 304
- E Flange DN150 / Stainless Steel 304
- F Flange DN200 / Stainless Steel 304
- H Flange DN250 / Stainless Steel 304
- M Flange DN80 / Cardan joint
- K Flange DN100 / Cardan joint
- T Flange DN125 / Cardan joint
- Z Flange DN150 / Cardan joint
- W Flange DN200 / Cardan joint
- V Flange DN250 / Cardan joint
- Y Special Custom

Antenna Type / Material

- B Horn Antenna Φ76mm / Stainless Steel 316L
- C Horn Antenna Φ96mm / Stainless Steel 316L
- D Horn Antenna Φ121mm / Stainless Steel 316L

Seal Up / Process Temperature

- V Viton / (-40~150) °C
- K Kalrez / (-40~250) °C

The Electronic Unit

- 2 (4~20) mA / 24V DC / Two wire system
- 3 (4~20) mA / 24V DC / HART two wire system
- 4 (4~20) mA / 220V AC / Four wire system
- 5 RS485 / Modbus

Shell / Protection Grade

- L Aluminum / IP67
- G Plastic/ IP65

Cable Line

- M M 20x1.5
- N ½" NPT

Field Display/The Programmer

- A Belt
- X Without

● **KRD526**

License

- P Standard (Non-explosion-proof)
- I Intrinsically safe (Exia IIC T6 Ga)
- G Intrinsically safe type, Flameproof (Exd (ia) IIC T6 Gb)

Process Connection / Material

- B Flange DN80 / Stainless Steel 304
- C Flange DN100 / Stainless Steel 304
- E Flange DN150 / Stainless Steel 304
- Y Special Custom

Antenna Type / Material

- B Horn Antenna Φ 46mm / Stainless Steel 316L
- C Horn Antenna Φ 76mm / Stainless Steel 316L
- D Horn Antenna Φ 96mm / Stainless Steel 316L

Seal Up / Process Temperature

- V Viton / (-40~150) °C

The Electronic Unit

- 2 (4~20) mA / 24V DC / Two wire system
- 3 (4~20) mA / 24V DC / HART two wire system
- 4 (4~20) mA / 220V AC / Four wire system
- 5 RS485 / Modbus

Shell / Protection Grade

- L Aluminum / IP67
- G Plastic/ IP65

Cable Line

- M M 20x1.5
- N ½" NPT

Field Display/The Programmer

- A Belt
- X Without

Material level meter selection parameter table:

Customer information

Company: _____ Contact: _____
Address: _____ Zip code: _____
The Telephone: _____ Fax: _____ Mobile phone: _____
E-mail: _____ Date: _____

License

- The standard type (Non-explosion-proof) Intrinsically safe (Exia IIB T5)
- Intrinsically safe (Exia IIC T6 Ga) Intrinsically safe+marine license (Exia IIC T6 Ga)
- Intrinsically safe and Flame proof (Exd ia IIC T6 Gb)

Tank / Container Information

The Types of Tank:

- Tank Reaction Tank Separation Tank Marine Tank

The Tank Structure:

Material of Tank: _____ Pressure: _____

Tank size:

Tank Height: _____ m Diameter: _____

The top of the tank:

- Vault Flat Open Cone type

The bottom of the tank:

- Cone bottom Flat Slope bottom Arc bottom

Installation:

- Top installation Side installation
- The bypass pipe mount Guided wave pipe installation

Installation takes over the top of the tank (information):

Height of take over : _____ mm Diameter of take over :: _____ mm

Measurement of Medium

Media name: Lliquid Solid Mixed Media

Medium temperature: _____ °C

Dielectric Constant: _____

Linked material: Yes No

Mixing: Yes No

Process Connection

Thread: G1½" A 1½" NPT

Flange Flange (DN=) Flange (ANSI=)

Power supply:

- 24V DC Two wire system 24V DC Four wire system 220V AC Four wire system

Output: 4-20mA HART

Display: Take the meter display program Without meter display program