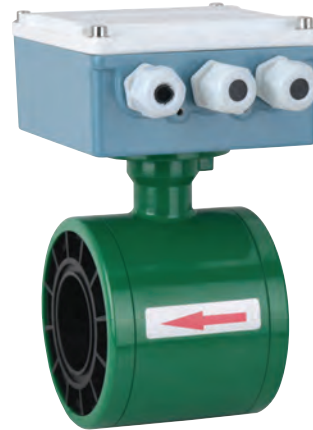


A

Performance Feature

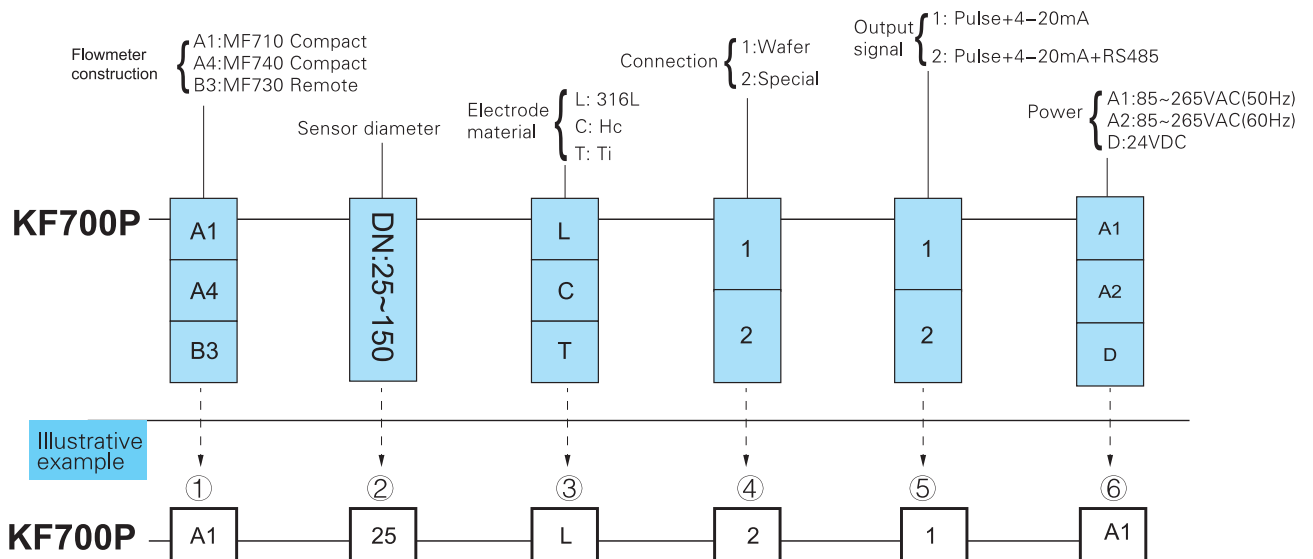
Diameter: DN25~DN150
Electrodes: 316L, Hb, Hc, Ti, Ta, Pt
Liner: PBT
Medium: conductivity liquids
Medium Diameter: $\geq 20\mu\text{s}/\text{cm}$
Accuracy: $\pm 0.5\% \text{RS}$, $\pm 1.0\% \text{RS}$
Converter Model: MF710 / MF730 / MF740
Velocity of flow: 0.1m/s -10m/s
Working temp.: $-25^{\circ}\text{C} \sim +100^{\circ}\text{C}$
Working pressure: 0.6MPa~1.0MPa(Base on diameter)
Output Signal: 4 ~ 20mA、 frequency
Power: 85~265VAC (50HZ or 60HZ) , 24VDC
Installation: compact, remote



Measuring range

DN	Min Flow 0-0.5m/s	Normal Flow 0-5m/s	Max Flow 0-10m/s
25	0-0.9m ³ /h	0-8m ³ /h	0-16m ³ /h
32	0-1.5m ³ /h	0-14m ³ /h	0-28m ³ /h
40	0-2.5m ³ /h	0-22m ³ /h	0-45m ³ /h
50	0-3.5m ³ /h	0-35m ³ /h	0-70m ³ /h
65	0-6m ³ /h	0-60m ³ /h	0-120m ³ /h
80	0-9m ³ /h	0-90m ³ /h	0-180m ³ /h
100	0-14m ³ /h	0-140m ³ /h	0-280m ³ /h
125	0-22m ³ /h	0-200m ³ /h	0-400m ³ /h
150	0-32m ³ /h	0-300m ³ /h	0-600m ³ /h

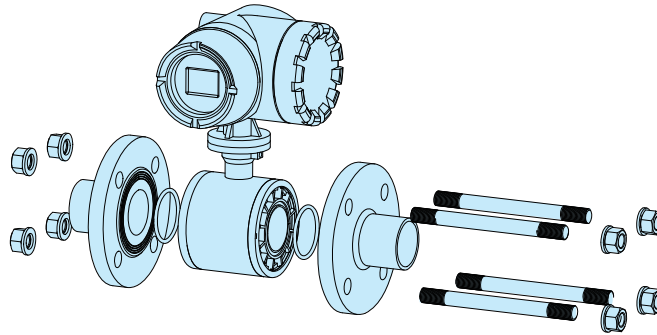
KF700P How to order



KF700P Series

Plastic Electromagnetic Flowmeters

Installation sketch map



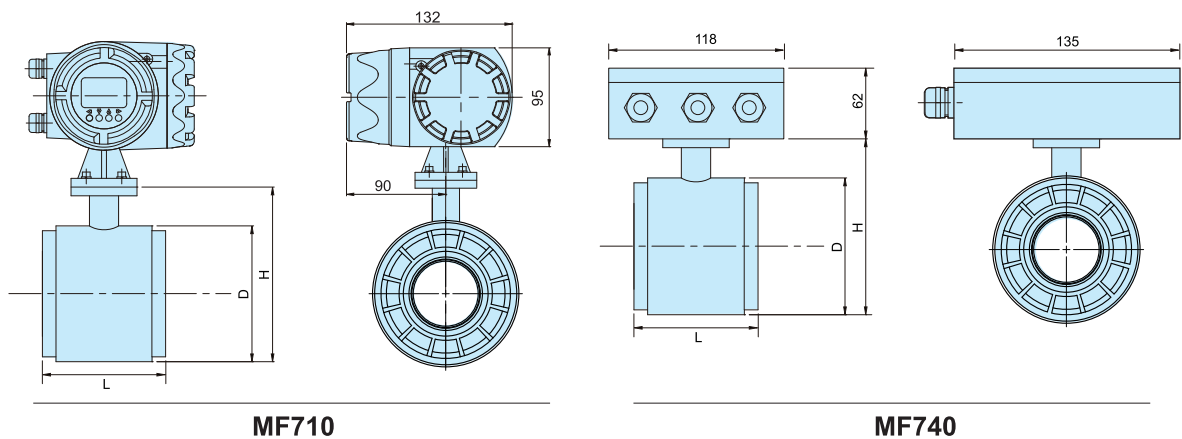
External dimensions

Unit:mm

DN(mm)	L	D	H	Screw rod
25	68	72	113	4-M12*138
32	80	82	123	4-M12*150
40	90	93	134	4-M16*175
50	95	108	148	4-M16*184
65	102	124	164	4-M16-*191
80	110	138	178	8-M16*200
100	130	158	198	8-M16*220
125	150	190	230	8-M16*240
150	195	220	260	8-M20*300

Compact MF710,740 external dimensions

Unit:mm



Remote MF730 External dimensions

Unit:mm

