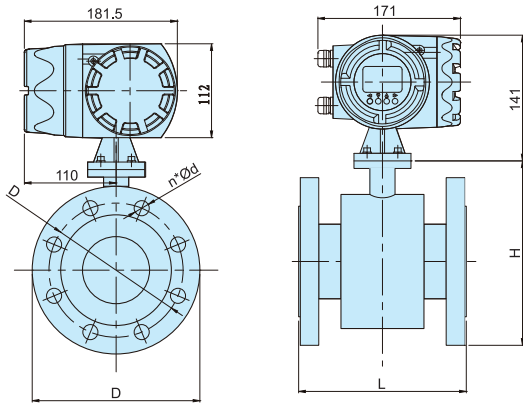


GA Series

High Pressure Flowmeter Sensors

Performance Feature

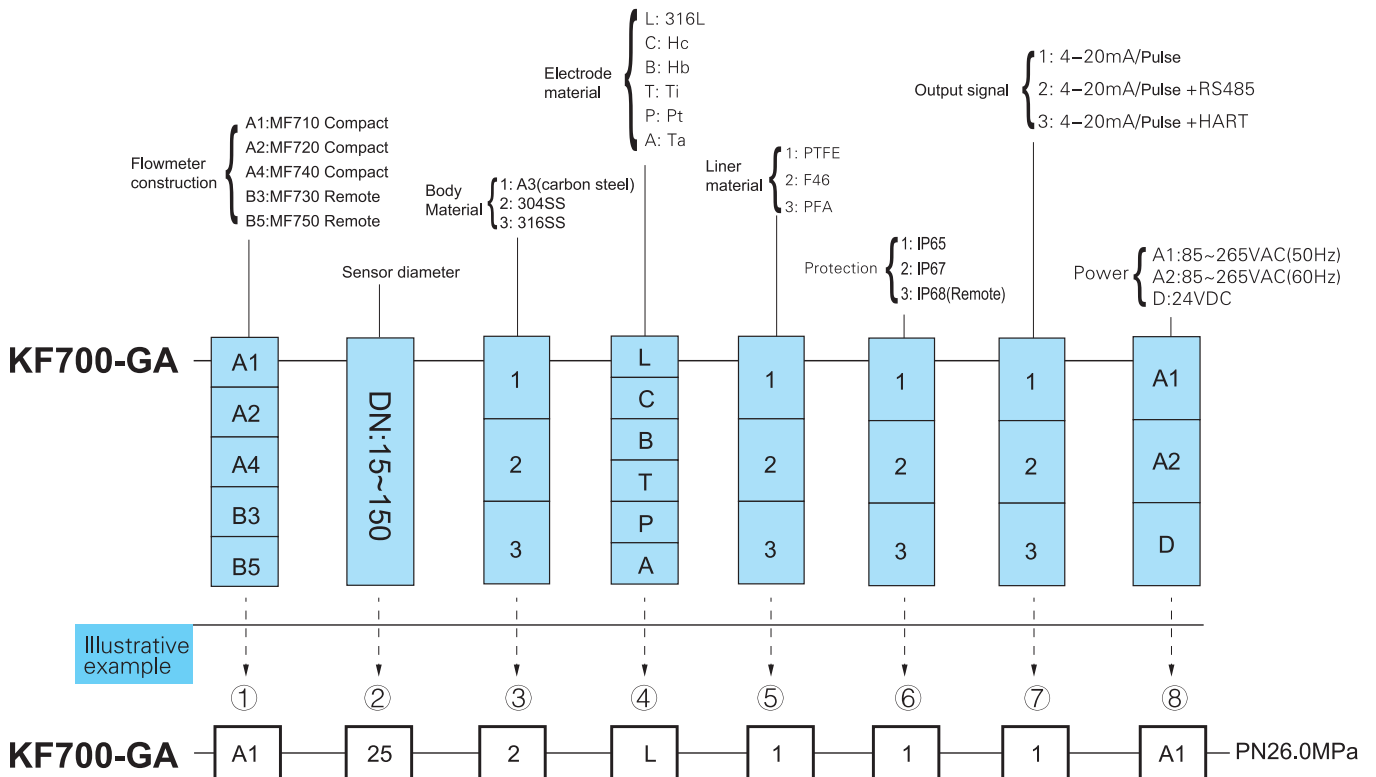
Diameter:DN15mm-DN150mm
Electrodes:316L,Hb,Hc,Ti,Ta
Liner: F46
Medium:conductivity liquids (containing solid-liquid two-phase)
Medium conductivity:≥5μ s/cm ,softener water≥20μ s/cm
Accuracy:±0.5%RS-±1.0%RS
Velocity of flow:0.1m/s-10m/s
Working temp.:compact-25°C-120°C,remote≤150°C
Working pressure:≤25Mpa
Protection class:IP65
Optional converter type: MF720/730/740
Flange type:GB/T9113-2000 PN26.0MPa



Sizes

D N (mm)	L	D	H	n-φd
15	220	120	82.5	4-φ22
20	220	130	89	4-φ22
25	220	150	101.5	4-φ24
32	220	160	111	4-φ24
40	250	180	124	4-φ27
50	250	215	165	8-φ24
65	300	245	190	8-φ27
80	350	265	203	8-φ30
100	400	310	241.5	8-φ33
125	450	375	292	8-φ32
150	500	395	317.5	12-φ36

KF700-GA How to order



* Note: MF720, M730 is optional of RS485 or HART protocol

MF730, MF750 protection class is optional of IP68, normal standard is IP65 or IP67

* Remark: For remote type, please specify the cable length(Standard is 8M).