



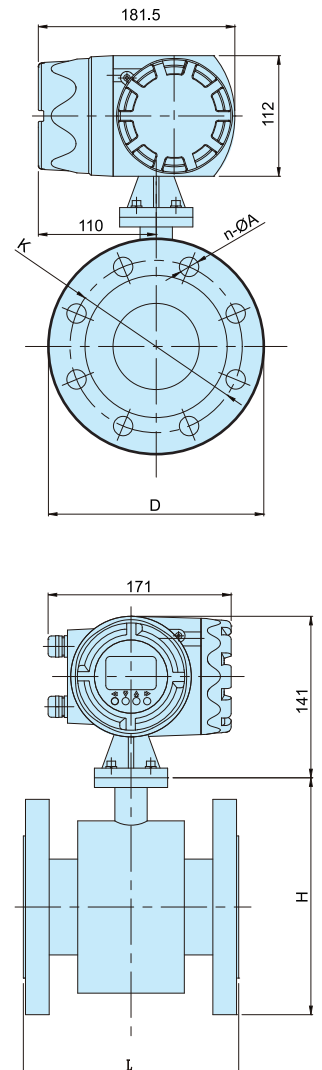
Performance Feature

Diameter:DN25mm-DN600
Electrodes:316L,Hb,Hc,Ti,Ta,Pt
Liner: rubber,PTFE
Medium:conductivity liquids
Medium conductivity:≥5μ s/cm ,softener water≥20μ s/cm
Accuracy:±1%RS-±1.5%RS
Velocity of flow:0.3m/s-5m/s
Working temp.:compact≤120°C
Working pressure:0.6Mpa-4.0Mpa(base on diameter)
Protection class:IP65,IP67
Optional converter type:MF800/810/820
Output signal:passive pulse(only for factory flow test)
Power supply:battery
Installation:compact,remote

External dimensions

Unit:mm

DN	mm	Max working pressure (MPa)	L	D	K	n-∅A	Compact weights(KG)	Remote weights(KG)
25	1"	4.0	150	115	85	4-∅14	11	9
32	1¼"		150	140	100	4-∅18	13	11
40	1½"		150	150	110	4-∅18	14	12
50	2"		200	165	125	4-∅18	16	14
65	2½"		200	185	145	8-∅18	21	19
80	3"		200	200	160	8-∅18	21	19
100	4"	1.6	250	220	180	8-∅18	28	26
125	5"		250	250	210	8-∅18	30	28
150	6"		300	285	240	8-∅22	41	39
200	8"	1.0	350	340	295	8-∅22	53	51
250	10"		400	395	350	12-∅22	92	90
300	12"		500	445	400	12-∅22	110	108
350	14"		500	505	460	16-∅22	131	129
400	16"		600	565	515	16-∅26	155	153
450	18"		600	615	565	20-∅26	222	217
500	20"		600	670	620	20-∅26	239	220
600	24"		600	780	725	20-∅30	262	260



KF700E Series

Battery Powered Electromagnetic Flowmeters



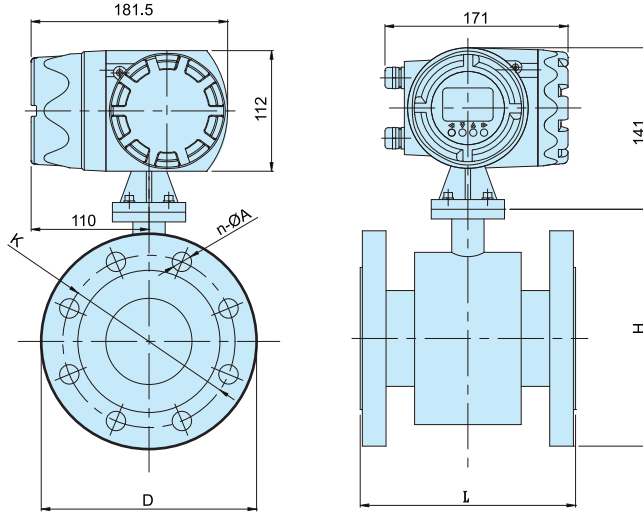
MF800



MF810 with GPRS



MF820



Intelligent battery powered electromagnetic converters

Accuracy: $\pm 1\%RS \pm 2\%RS$

Measure direction: forward/reverse

Environment condition: temp. $-10\text{C} \sim +60\text{C}$, relative humidity 90%

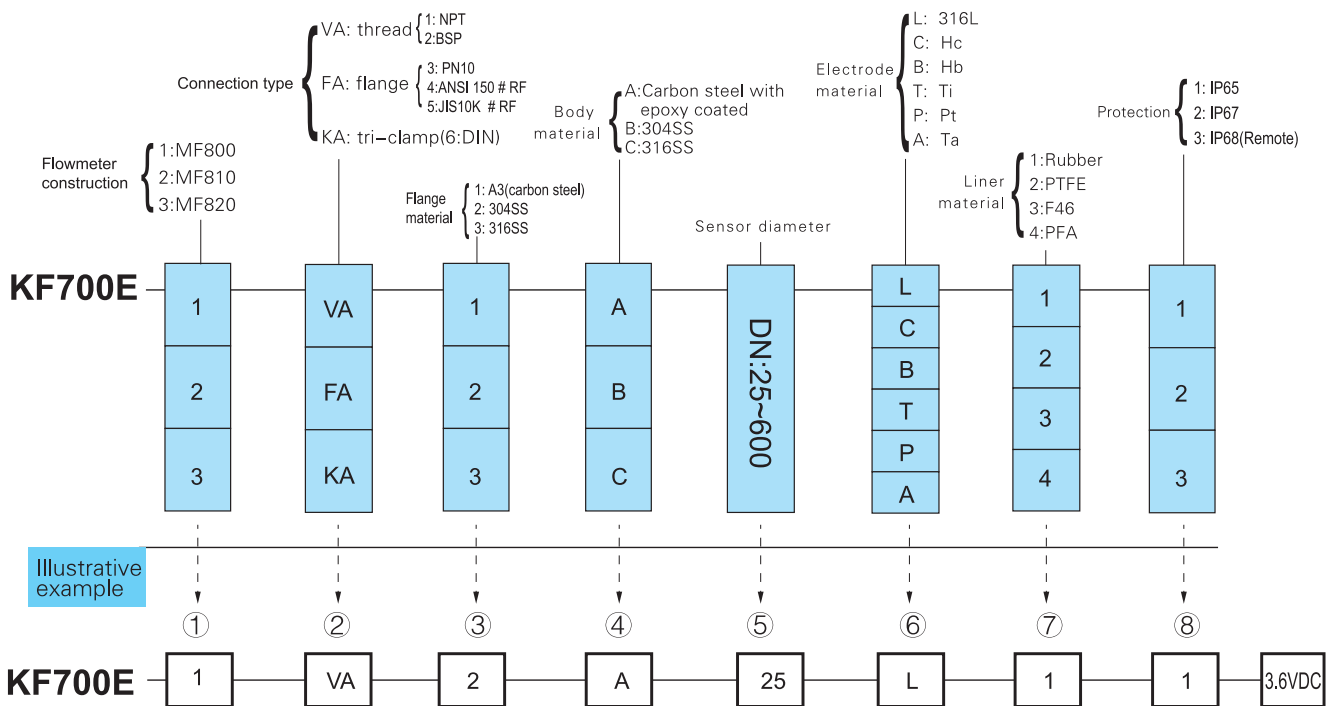
Display: 6 numbers of instantaneous delivery, 10 numbers of totalizer

Dimensions: 120*120*240mm

Installation: compact

Power supply: 3.6V lithium battery(4PCS/set)

KF700E How to order



* Note: MF720, M730 is optional of RS485 or HART protocol MF730, MF750 protection class is optional of IP68, normal standard is IP65 or IP67

* Remark: For remote type, please specify the cable length (Standard is 8M).